

TYPICAL SECTION

CRL NS-315 STA. 116+50 TO STA. 126+62.75 AND STA. 128+52.64 TO STA. 137+00
 CRL EW-194 STA. 28+83.00 TO STA. 35+75.14

SEE TOPSOIL NOTE

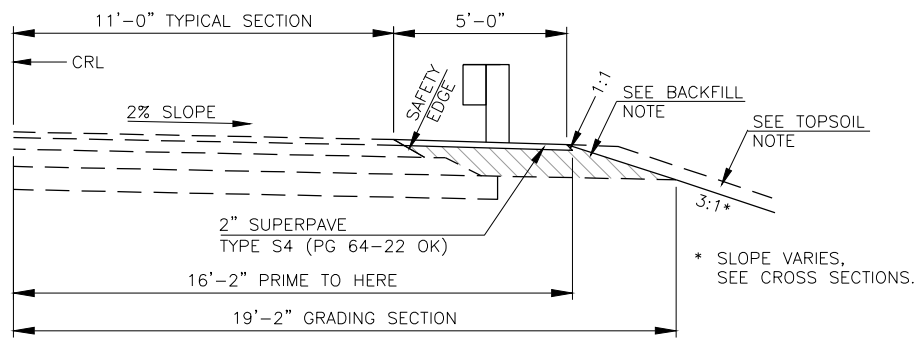
* VARIES, SEE CROSS SECTIONS

EROSION CONTROL AND CONSTRUCTION NOTES

SEE EROSION CONTROL PLAN, SHEET NO. R003, FOR EROSION CONTROL AND CONSTRUCTION NOTES.

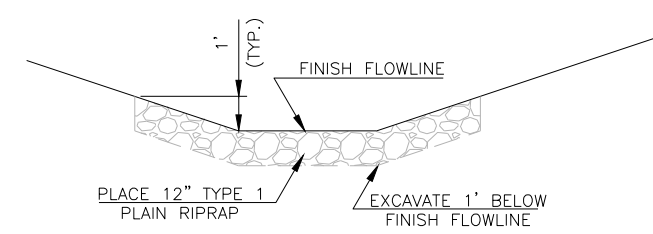
TOPSOIL NOTE:
 RESERVED TOPSOIL SHALL BE SPREAD APPROX. 5 INCHES THICK FIRST ON COMPLETED FORE SLOPES OF FILL SECTIONS AND THE REMAINDER ON COMPLETED CUT SLOPES OR OTHER PRIORITY AREAS LOCATED BY THE ENGINEER.

(1) PRIME COAT TO BE APPLIED TO THE TOP OF THE AGGREGATE BASE AND STABILIZED SUBGRADE.

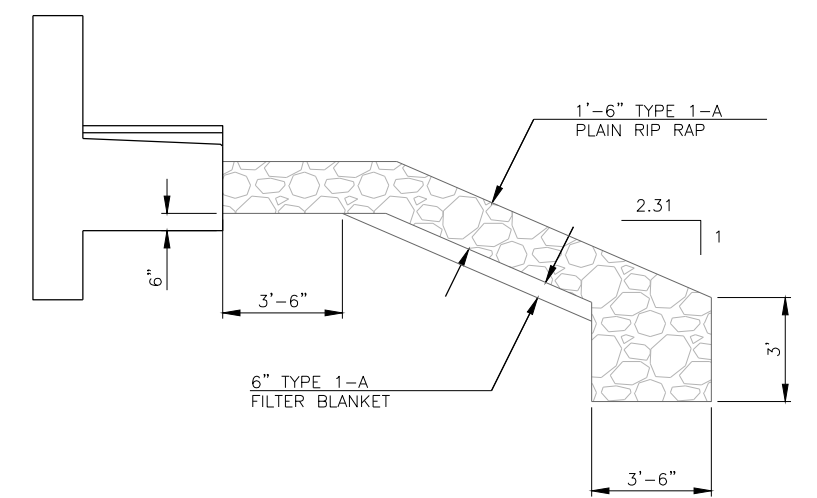


GUARDRAIL WIDENING DETAIL

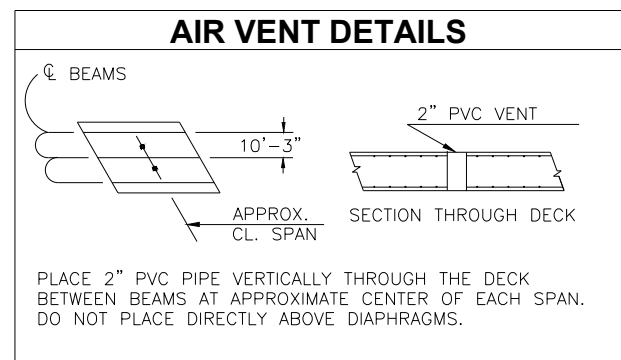
BACK FILL NOTE:
 SHOULDERS SHALL BE BACK FILLED AND COMPACTED AS PART OF THE FINISHING OPERATION, PRICE TO BE INCLUDED IN EARTHWORK.



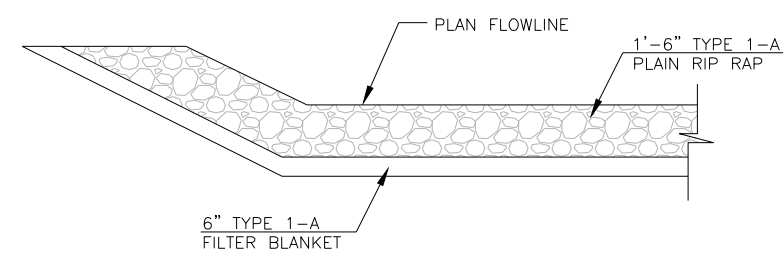
RIPRAP DITCH DETAIL



ABUTMENT RIPRAP DETAIL



PLACE 2" PVC PIPE VERTICALLY THROUGH THE DECK BETWEEN BEAMS AT APPROXIMATE CENTER OF EACH SPAN. DO NOT PLACE DIRECTLY ABOVE DIAPHRAGMS.



CROSS DRAIN RIPRAP DETAIL